

ERC System Electronic Rack Control

Principal regulating and control device for each compressor of the rack

In racks with progressively adjustable speed control, the equipment is part of the EFC system (see page 19).

It takes on the function of rack control.

The basic load of each individual compressor, and fine-tuning of the EFC frequency converter (control signal 0-10 V) is controlled by a pressure transducer on the suction side.

The ERC is also equipped with operating time register and compensation, switch-on and switch-off delays, surge protection and default memory. There are max. four compressors controllable. It is intended for installation in the switch cabinet.

ERC Electronic Rack Control

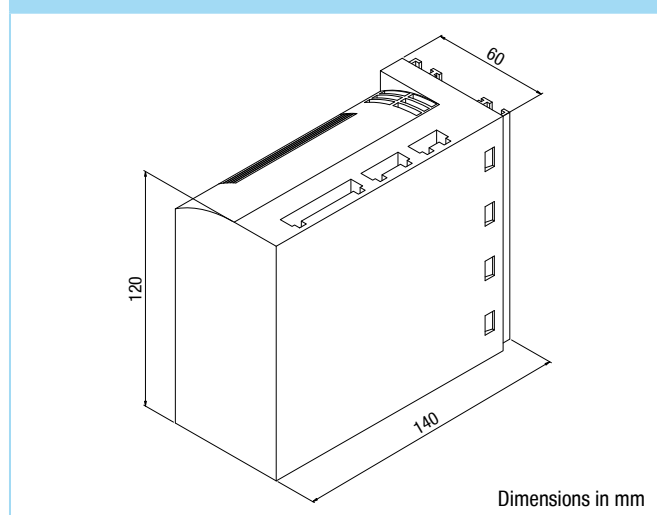


Technical data

Type	ERC4
Protection	IP20
Voltage	DC 24 V 4,2 A
3 digital inputs	DC 24 V à 8 mA
4 digital outputs	DC 24 V à 1 A

} busy

Dimensions



01

02

03

04

05

06

07

08

09

10

11

12

13