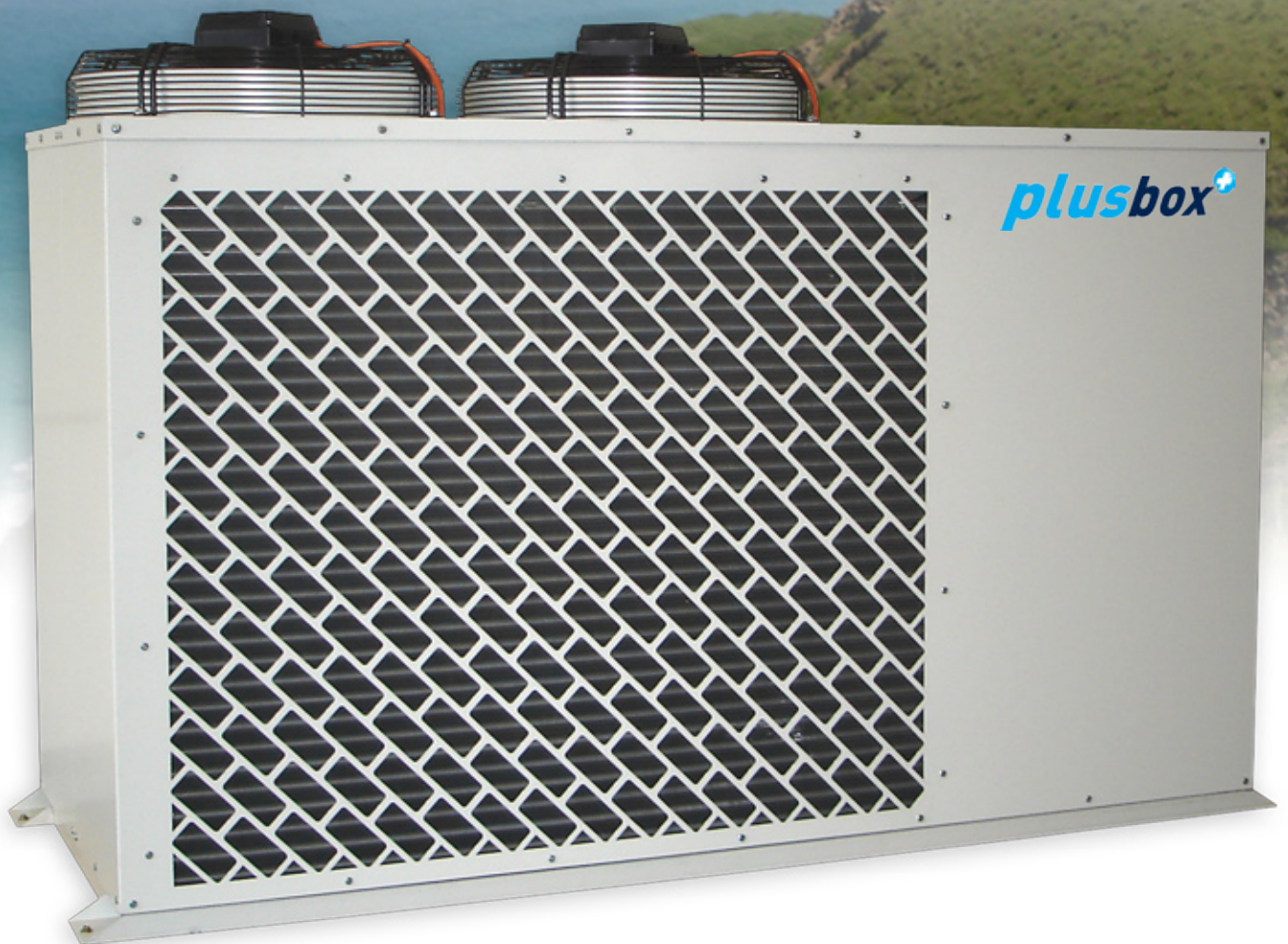


plusbox⁺

Outdoor condensing units



BOCK *plusbox*[®] Series

The new *plusbox*[®] series of outdoor condensing units, are now available from Bock. Ranging from 4hp - 15hp, incorporating the Bock Pluscom Semi-Hermetic Compressor.

STANDARD DESIGN SPECIFICATIONS

- Bock Pluscom Semi Hermetic Compressor
- Powdercoated Sheet Metal Enclosure
- Generous Condenser sizes for the Australian Climate
- Dual Pressure Control with Flexilines
- Discharge Line Vibration Eliminator
- Internal Float Oil Separator
- Liquid Receiver, Drier & Sightglass
- Electrical Panel fully wired (Includes Isolation Switch)
- Crankcase Heater
- Electronic Motor Protection
- Oil Charge - Polyolester as standard (Mineral on request)



OPTIONAL EXTRAS

- Liquid Line Solenoid Valve
- Suction Accumulator
- Capacity Control
- HP Fan Cycle Switch
- Oil Level Monitoring
- Crankcase Pressure Regulator
- Pressure Relief Valves
- TRAXOIL Oil Regulator



Disclaimer

This brochure has been produced for you with the greatest care. Nevertheless it is not possible to rule out mistakes completely. In such cases we cannot assume any liability.

The contents correspond to the status on going print. Deviations cannot be ruled out because of outgoing development process for our products.

**some models available with inverters
(single 220V / 3 phases 415)**



R404A	REFRIGERATION CAPACITY Capacity based on 20°C return gas temperature 3K subcooling.
--------------	---

Model No.	Cond. Temp. °C	Evaporator Temperature °C								Capacity Ratings in Watts		
		-35	-30	-25	-20	-15	-10	-5	0	5	7	10
HGX22 - 125	45	1640	2230	2920	3680	4550	5500	6550				
	50	1450	2000	2630	3340	4130	5000	5960				
HGX22 - 160	45	2030	2760	3610	4560	5640	6820	8130				
	50	1790	2480	3270	4140	5120	6210	7400				
HGX22 - 190	45	2450	3350	4370	5520	6820	8250	9820				
	50	2170	3010	3940	5010	6190	7510	8960				
HGX34 - 215	45	2760	3770	4900	6180	7610	9190	10890				
	50	2440	3370	4430	5610	6910	8350	9910				
HGX34 - 255	45	3250	4440	5780	7290	8970	10850	12880				
	50	2870	3980	5220	6610	8160	9840	11710				
HGX34 - 315	45	4030	5490	7150	9030	11140	13450	16010				
	50	3550	4920	6470	8200	10110	12230	14550				
HGX34 - 380	45	4850	6620	8610	10860	13370	16140	19170				
	50	4290	5940	7780	9850	12130	14670	17410				
HGX4 - 465	45	6700	8890	11470	14440	17720	21310	25190				
	50	5900	7890	10250	12940	15950	19260	22780				
HGX4 - 555	45	8120	10820	14010	17690	21840	26360	31340				
	50	7160	9600	12520	15880	19660	23900	28450				
HGX4 - 650	45	9400	12480	16100	20300	24910	30030	35490				
	50	8290	11050	14390	18170	22450	27110	32140				
HGX4 - 650S	45	9480	12570	16290	20530	25300	30490	36180				
	50	8330	11170	14550	18400	22790	27580	32770				
HGX5 - 725	45	11000	14640	18830								
	50	9770	13130	16950								

Medium temperature
35°C Amb. - 45°C Cond.
40°C Amb. - 50°C Cond.

Low temperature
38°C Amb. - 45°C Cond.
43°C Amb. - 50°C Cond.

R134a**REFRIGERATION CAPACITY**

Capacity based on 20°C return gas temperature 3K subcooling.

Model No.	Cond. Temp. °C	Evaporator Temperature °C							Capacity Ratings in Watts			
		12.5	10	7.5	5	0	-5	-10	-15	-20	-25	
HGX22 - 125	40	Units on request	7367	6670	5412	4326	3398	2610	1950	1402		
	50		6250	5650	4567	3630	2825	2139	1553	1056		
HGX22 - 160	40		9095	8235	6682	5341	4194	3222	2407	1731		
	50		7717	6975	5638	4483	3489	2640	1917	1304		
HGX22 - 190	40		11005	9964	8085	6463	5075	3898	2913	2095		
	50		9337	8440	6822	5423	4221	3194	2321	1577		
HGX34 - 215	40		12348	11119	8935	7084	5530	4238	3170	2289		
	50		10482	9417	7531	5938	4602	3489	2559	1777		
HGX34 - 255	40		14735	13340	10825	8653	6794	5219	3899	2805		
	50		12502	11300	9134	7261	5652	4276	3106	2111		
HGX34 - 315	40		18005	16277	13180	10527	8277	6393	4831	3554		
	50		15436	13934	11249	8953	7005	5367	3996	2855		
HGX34 - 380	40		22011	19927	16171	12927	10150	7797	5826	4190		
	50		18675	16880	13645	10847	8443	6389	4640	3155		
HGX4 - 465	40		28009	25439	20803	16788	13338	10392	7889	5773		
	50		24244	21975	17905	14408	11424	8894	6759	4960		
HGX4 - 555	40		33333	30275	24757	19980	15874	12367	9389	6870		
	50		28852	26153	21309	17146	13595	10585	8044	5903		
HGX4 - 650	40		39120	35531	29055	23448	18629	14514	11020	8063		
	50		33861	30692	25008	20123	15955	12423	9441	6927		
HGX5 - 725	40	43545	39549	32341	26101	20737	16155	12265	8975			
	50	37691	34164	27836	22400	17761	13828	10508	7710			

Medium temperature:
 35°C Amb. - 45°C Cond.
 40°C Amb. - 50°C Cond.

Supplementary cooling or reduced suction gas temperature



R22	REFRIGERATION CAPACITY Capacity based on 20°C return gas temperature 3K subcooling.
------------	---

Model No.	Cond. Temp. °C	Evaporator Temperature °C								Capacity Ratings in Watts			
		-35	-30	-25	-20	-15	-10	-5	0	5	7	10	
HGX22 - 125	45			2450	3240	4140	5150	6280	Units on request				
	50				2960	3820	4780	5840					
HGX22 - 160	45			3050	4050	5170	6440	7860					
	50				3690	4770	5970	7320					
HGX22 - 190	45			3690	4890	6250	7790	9490					
	50				4470	5770	7220	8850					
HGX34 - 215	45			4150	5500	7010	8720	10620					
	50				5020	6470	8080	9890					
HGX34 - 255	45			4850	6430	8200	10180	12410					
	50				5870	7560	9460	11540					
HGX34 - 315	45			6050	8020	10250	12730	15530					
	50				7320	9430	11810	14450					
HGX34 - 380	45			7290	9650	12310	15310	18650					
	50				8820	11360	14200	17380					
HGX4 - 465	45			10920	14080	17570	21400	25650					
	50				13110	16380	19960	23890					
HGX4 - 555	45			13190	17050	21340	26110	31390					
	50				15920	19960	24410	29360					
HGX4 - 650	45			15290	19330	24600	30020	35980					
	50				18370	22950	28020	33530					

Medium temperature
35°C Amb. - 45°C Cond.
40°C Amb. - 50°C Cond.

Low temperature
38°C Amb. - 45°C Cond.
43°C Amb. - 50°C Cond.

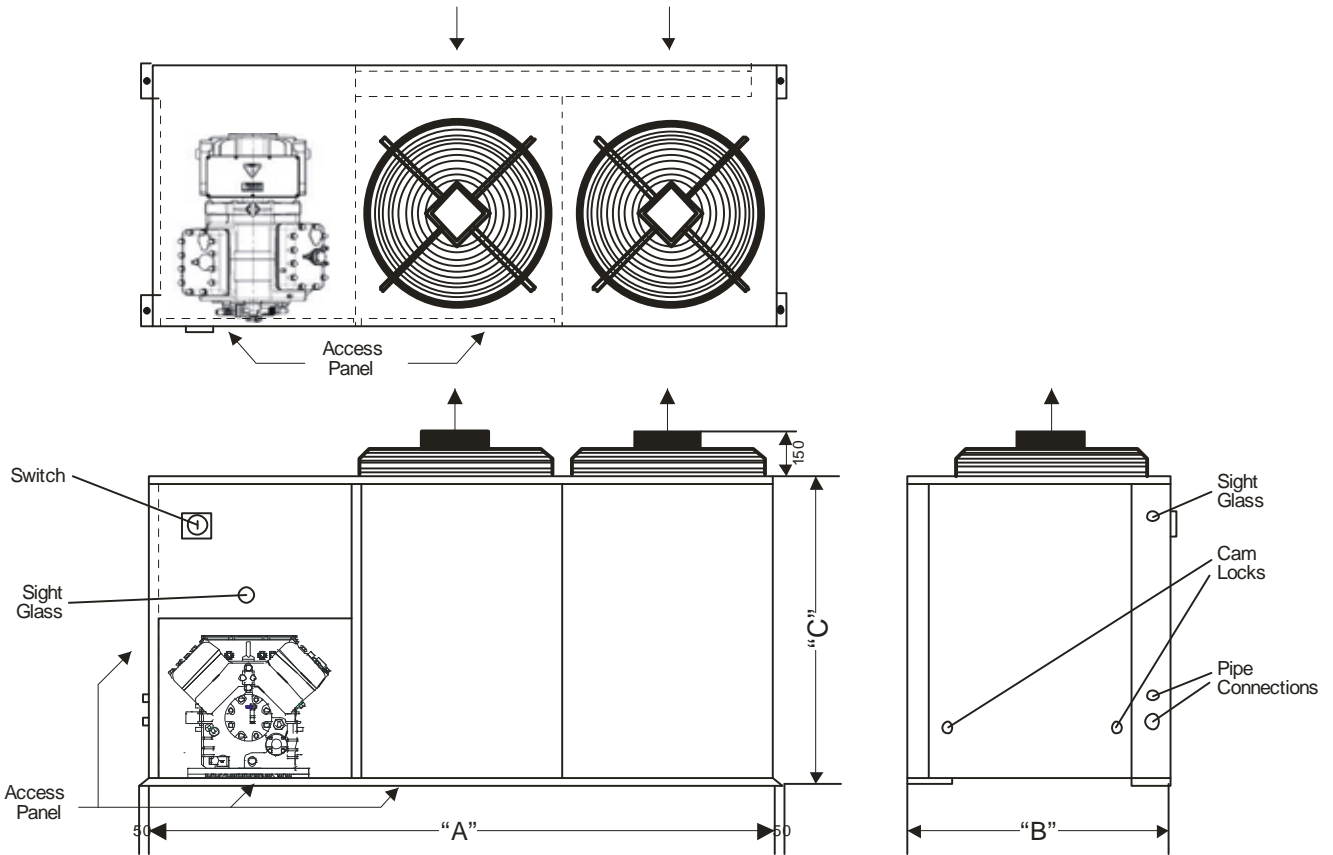
TECHNICAL DATA

L = Low Temperature M = Medium Temperature

Model No.	Temp.	Compressor				Condenser				Liquid Line Size	Suction Line Size	Receiver Pumpdown Capacity	Unit Weight
		Nom HP	Max Current Amps	Max Power Consumption kW	Heater Watts 240/1/50	Fan Voltage	Fan Total Amps	Fan Total kW	No of Fans				
HGX22 - 125	L	2,2	5,6	3,2	50	240/1/50	0,8	0,16	1*450	3/8	7/8	7kg	138
HGX22 - 125	M	2,2	5,6	3,2	50	240/1/50	0,8	0,16	1*450	3/8	7/8	7kg	135
HGX22 - 160	L	2,2	6	3,5	50	240/1/50	1,1	0,16	1*450	3/8	7/8	7kg	165
HGX22 - 160	M	2,2	6	3,5	50	240/1/50	1,1	0,16	1*450	3/8	7/8	7kg	160
HGX22 - 190	L	3,2	7,7	4,6	50	240/1/50	1,1	0,24	1*450	3/8	7/8	7kg	175
HGX22 - 190	M	3,2	7,7	4,6	50	240/1/50	1,1	0,24	1*450	1/2	7/8	7kg	170
HGX34 - 215	L	3,2	8,3	5,0	50	240/1/50	1,6	0,32	2*450	1/2	7/8	10kg	200
HGX34 - 215	M	3,2	8,3	5,0	50	240/1/50	1,6	0,32	2*450	1/2	7/8	10kg	195
HGX34 - 255	L	4,2	10	6,1	50	240/1/50	1,6	0,32	2*450	1/2	11/8	10kg	205
HGX34 - 255	M	4,2	10	6,1	50	240/1/50	3,2	0,48	2*450	1/2	11/8	10kg	198
HGX34 - 315	L	5,2	12,6	7,5	50	240/1/50	3,2	0,32	2*450	1/2	11/8	15kg	210
HGX34 - 315	M	5,2	12,6	7,5	50	240/1/50	3,2	0,48	2*450	5/8	11/8	15kg	198
HGX34 - 380	L	6,2	15,1	9,1	50	240/1/50	3,2	0,48	2*450	5/8	11/8	15kg	215
HGX34 - 380	M	6,2	15,1	9,1	50	240/1/50	2,6	0,48	2*500	5/8	11/8	15kg	210
HGX4 - 465	L	10	18	11,0	60	240/1/50	2,6	1,1	2*500	5/8	13/8	20kg	298
HGX4 - 465	M	10	18	11,0	60	240/1/50	2,6	1,1	2*500	7/8	13/8	20kg	378
HGX4 - 555	L	10	27	12,9	60	240/1/50	2,6	1,1	2*500	7/8	13/8	20kg	398
HGX4 - 555	M	10	27	12,9	60	240/1/50	2,6	1,1	2*500	7/8	13/8	20kg	398
HGX4 - 650	L	15	27	15,7	60	240/1/50	2,6	1,1	2*500	7/8	15/8	22kg	410
HGX4 - 650	M	15	27	15,7	60	240/1/50	3,0	1,1	2*500	7/8	15/8	25kg	410
HGX5 - 725	L	15	33	16,5	80	240/1/50	3,0	1,1	2*500	7/8	15/8	25kg	485
HGX5 - 725	M	15	33	16,5	80	240/1/50	3,0	1,1	2*500	11/8	15/8	25kg	485



DIMENSIONS



Model No.	Temp.	Size A (Length in mm)	Size B (Width in mm)	Size C (Height in mm)
HGX22 - 125	L	1252	660	720
HGX22 - 125	M	1252	660	720
HGX22 - 160	L	1252	660	720
HGX22 - 160	M	1252	660	720
HGX22 - 190	L	1252	660	720
HGX22 - 190	M	1252	660	720
HGX34 - 215	L	1555	660	900
HGX34 - 215	M	1555	660	900
HGX34 - 255	L	1555	660	900
HGX34 - 255	M	1555	660	900
HGX34 - 315	L	1555	660	900

Model No.	Temp.	Size A (Length in mm)	Size B (Width in mm)	Size C (Height in mm)
HGX34 - 315	M	1555	660	900
HGX34 - 380	L	1555	660	900
HGX34 - 380	M	1600	830	1050
HGX4 - 465	L	1600	830	1050
HGX4 - 465	M	Available on request		
HGX4 - 555	L			
HGX4 - 555	M			
HGX4 - 650	L			
HGX4 - 650	M			
HGX5 - 725	L	Available on request		
HGX5 - 725	M			



Distributed by:

Bock Australia Pty Ltd
ABN 30 095 377 870
Unit 5, 26 - 34 Dunning Avenue
Rosebery NSW 2018

P: +61 (02) 9663 4999
F: +61 (02) 9663 4899

General enquiries: enquiry@bockaust.com.au
Sales enquiries: sales@bockaust.com.au

www.bockaust.com.au

