

Condensing units



Commercial Series

The new commercial series of condensing units, are now available from Bock. Ranging from 2hp - 40hp, incorporating the Bock semi-hermetic compressor.

STANDARD DESIGN SPECIFICATIONS

- * Bock Semi Hermetic Compressor
- * Models HGX22-125 to HGX34-255 use a Painted, Galvanised Steel Base
- * Models HGX34-315 & onwards, use a Welded Angle Iron Frame
- * Generous Condenser sizes for the Australian Climate
- * Dual Pressure Control with Flexilines
- * Liquid Receiver
- * Discharge Line Vibration Eliminator
- * Crankcase Heater
- * Electronic Motor Protection
- * Models HGX4 & onwards are supplied with Oil Pressure Safety
- * Oil Charge - Polyolester as standard
- * Liquid Line Filter Drier & Sightglass for HGX22-34
- * Internal Float Oil Separator for HGX22-34



OPTIONAL EXTRAS

- * Liquid Line Filter Drier & Sightglass for HG/4/5/6
- * Liquid Line Solenoid Valve
- * Internal Float Oil Separator
- * External Float Oil Separator - with Traxoil fitted
- * Oil Return Sightglass
- * Suction Accumulator
- * HP Fan Cycle Switch
- * Capacity Control Head (4 & 6 cylinder only)
- * Separate LP Control
- * Crankcase Pressure Regulator
- * Pressure Relief Valves
- * Head Fans (where applicable)
- * Fully wired electrical box

Disclaimer

This brochure has been produced for you with the greatest care. Nevertheless it is not possible to rule out mistakes completely. In such cases we cannot assume any liability.

The contents correspond to the status on going print. Deviations cannot be ruled out because of outgoing development process for our products.



R404A	AIR COOLED CONDENSING UNITS Capacity based on 20°C return gas temperature 3K subcooling.
--------------	----------------------------------------------------------------------------------------------------

Model No.	Conden. Temp. °C	Evaporator Temperature °C								Capacity Ratings in Watts			
		-35	-30	-25	-20	-15	-10	-5	0	5	7	10	
HGX22-125XAC	45	1640	2230	2920	3680	4550	5500	6550					
	50	1450	2000	2630	3340	4130	5000	5960					
HGX22-160XAC	45	2030	2760	3610	4560	5640	6820	8130					
	50	1790	2480	3270	4140	5120	6210	7400					
HGX22-190XAC	45	2450	3350	4370	5520	6820	8250	9820					
	50	2170	3010	3940	5010	6190	7510	8960					
HGX34-215XAC	45	2760	3770	4900	6180	7610	9190	10890					
	50	2440	3370	4430	5610	6910	8350	9910					
HGX34-255XAC	45	3250	4440	5780	7290	8970	10850	12880					
	50	2870	3980	5220	6610	8160	9840	11710					
HGX34-315XAC	45	4030	5490	7150	9030	11140	13450	16010					
	50	3550	4920	6470	8200	10110	12230	14550					
HGX34-380XAC	45	4850	6620	8610	10860	13370	16140	19170					
	50	4290	5940	7780	9850	12130	14670	17410					
HGX4-465XAC	45	6700	8890	11470	14440	17720	21310	25190					
	50	5900	7890	10250	12940	15950	19260	22780					
HGX4-465SXAC	45	6770	9000	11640	14670	18030	21730	25790	30080	34590	36530		
	50	5960	7980	10390	13140	16240	19650	23350	27370				
HGX4-555XAC	45	8120	10820	14010	17690	21840	26360	31340					
	50	7160	9600	12520	15880	19660	23900	28450					
HGX4-650XAC	45	9400	12480	16100	20300	24910	30030	35490					
	50	8290	11050	14390	18170	22450	27110	32140					
HGX4-650SXAC	45	9480	12570	16290	20530	25300	30490	36180	42180	48620	51230		
	50	8330	11170	14550	18400	22790	27580	32770	38320				
HGX5-725XAC	45	11000	14640	18830	23560	28850	34680	40970					
	50	9770	13130	16950	21270	26140	31450	37320					
HGX5-830XAC	45	12490	16590	21290	26550	32380	38850	45790					
	50	11090	14850	19140	23970	29330	35220	41610					
HGX5-830SXAC	45	12490	16590	21290	26550	32380	38850	45790	53250	61190	64550		
	50	11090	14850	19140	23970	29330	35220	41610	48500				
HGX5-945XAC	45	14170	18830	24120	30080	36690	43930	51780					
	50	12590	16850	21670	27140	33220	39790	47020					
HGX5-945SXAC	45	14170	18830	24120	30080	36690	43930	51780	60080	69040	72840		
	50	12590	16850	21670	27140	33220	39790	47020	54810				
HGX6-1080XAC	45	16260	21380	27270	33970	41430	49810	58940					
	50	14410	19240	24680	30830	37710	45340	53720					
HGX6-1080SXAC	45			27270	33970	41430	49810	58940	68880	79610	84140		
	50			24680	30830	37710	45340	53720	62860				
HGX6-1240XAC	45	18430	24220	30790	38300	46620	55830	65780					
	50	16370	21780	27910	34800	42380	50840	59970					
HGX6-1410XAC	45	20670	27140	34450	42690	51770							
	50	18350	24390	31130	38750	47100							

Medium temperature
 35°C Amb. - 45°C Cond.
 40°C Amb. - 50°C Cond.

Low temperature
 38°C Amb. - 45°C Cond.
 43°C Amb. - 50°C Cond.

R134a

AIR COOLED CONDENSING UNITS


Capacity based on 20°C return gas temperature 3K subcooling.

Model No.	Ambient Temp °C	Evaporator Temperature °C									Capacity Ratings in Watts	
		12.5	10	7.5	5	0	-5	-10	-15	-20	-25	-30
HGX22P-125-4	40	8909	8113	7367	6670	5412	4326	3398	2610	1950	1402	953
	50	7580	6894	6250	5650	4567	3630	2825	2139	1553	1056	631
HGX22P-160-4	40	10999	10017	9095	8235	6682	5341	4194	3222	2407	1731	1177
	50	9359	8511	7717	6975	5638	4483	3489	2640	1917	1304	779
HGX22P-190-4	40	13309	12120	11005	9964	8085	6463	5075	3898	2913	2095	1423
	50	11324	10298	9337	8440	6822	5423	4221	3194	2321	1577	943
HGX34P-215-4	40	15103	13674	12348	11119	8935	7084	5530	4238	3170	2289	1561
	50	12878	11634	10482	9417	7531	5938	4602	3489	2559	1777	1106
HGX34P-255-4	40	17819	16227	14735	13340	10825	8653	6794	5219	3899	2805	1906
	50	15162	13787	12502	11300	9134	7261	5652	4276	3106	2111	1263
HGX34P-315-4	40	21843	19859	18005	16277	13180	10527	8277	6393	4831	3554	2521
	50	18780	17048	15436	13934	11249	8953	7005	5367	3996	2855	1902
HGX34P-380-4	40	26617	24240	22011	19927	16171	12927	10150	7797	5826	4190	2847
	50	22649	20596	18675	16880	13645	10847	8443	6389	4640	3155	1887
HGX4-465-4	40	33691	30757	28009	25439	20803	16788	13338	10392	7889	5773	3983
	50	29284	26677	24244	21975	17905	14408	11424	8894	6759	4960	3437
HGX4-555-4	40	40094	36603	33333	30275	24757	19980	15874	12367	9389	6870	4740
	50	34851	31748	28852	26153	21309	17146	13595	10585	8044	5903	4090
HGX4-650-4	40	47055	42959	39120	35531	29055	23448	18629	14514	11020	8063	5562
	50	40901	37260	33861	30692	25008	20123	15955	12423	9441	6927	4800
HGX5-725-4	40	52377	47817	43545	39549	32341	26101	20737	16155	12265	8975	6192
	50	45527	41474	37691	34164	27836	22400	17761	13828	10508	7710	5343
HGX5-830-4	40	60127	54892	49987	45401	37126	29963	23805	18546	14081	10303	7107
	50	52263	47611	43267	39219	31955	25714	20388	15873	12063	8851	6134
HGX5-945-4	40	68411	62455	56875	51655	42241	34091	27085	21100	16020	11723	8086
	50	59463	54170	49228	44623	36358	29257	23197	18060	13725	10072	6979
HGX6-1080-4	40	78467	71635	65233	59243	48429	39056	30989	24091	18226	13258	9048
	50	68100	62067	56430	51172	41725	33591	26632	20713	15696	11447	7827
HGX6-1240-4	40	90077	82235	74885	68008	55593	44834	35574	27656	20922	15219	10388
	50	78177	71251	64779	58743	47899	38561	30572	23777	18019	13141	8986
HGX6-1410-4	40	102487	93564	85203	77379	63253	51011	40475	31466	23806	17316	11818
	50	88948	81068	73705	66837	54498	43874	34785	27054	20502	14951	10223

Medium temperature

35°C Amb. - 45°C Cond.

40°C Amb. - 50°C Cond.

 Supplementary cooling or reduced suction gas temperature



R22	AIR COOLED CONDENSING UNITS
Capacity based on 20°C return gas temperature 3K subcooling.	

Model No.	Conden. Temp. °C	Evaporator Temperature °C								Capacity Ratings in Watts			
		-35	-30	-25	-20	-15	-10	-5	0	5	7	10	
HGX22-125XAC	45			2450	3240	4140	5150	6280					
	50				2960	3820	4780	5840					
HGX22-160XAC	45			3050	4050	5170	6440	7860					
	50				3690	4770	5970	7320					
HGX22-190XAC	45			3690	4890	6250	7790	9490					
	50				4470	5770	7220	8850					
HGX34-215XAC	45			4150	5500	7010	8720	10620					
	50				5020	6470	8080	9890					
HGX34-255XAC	45			4850	6430	8200	10180	12410					
	50				5870	7560	9460	11540					
HGX34-315XAC	45			6050	8020	10250	12730	15530					
	50				7320	9430	11810	14450					
HGX34-380XAC	45			7290	9650	12310	15310	18650					
	50				8820	11360	14200	17380					
HGX4-465XAC	45			10920	14080	17570	21400	25650					
	50				13110	16380	19960	23890					
HGX4-465SXAC	45			11010	14210	17760	21700	26010	30770	35850	38030	41310	
	50				13250	16590	20290	24320	28740	33480	35500	38600	
HGX4-555XAC	45			13190	17050	21340	26110	31390					
	50				15920	19960	24410	29360					
HGX4-650XAC	45			15290	19330	24600	30020	35980					
	50				18370	22950	28020	33530					
HGX4-650SXAC	45			15400	19870	24870	30400	36490	43100	50290	53270	57960	
	50				18540	23210	28380	34080	40270	46910	49750	54090	
HGX5-725XAC	45			17300	22380	28060	34380	41390					
	50				20920	26230	32180	38710					
HGX5-830XAC	45			19680	25390	31740	38840	46620					
	50				23690	29650	36260	43550					
HGX5-830SXAC	45			19680	25390	31740	38840	46620	55070	64260	68060	74060	
	50				23690	29650	36260	43550	51370	59940	63580	69120	
HGX5-945XAC	45			22330	28820	36010	44010	52750					
	50				26870	33630	41060	49230					
HGX5-945SXAC	45			22330	28820	36010	44010	52750	62310	72580	76990	83640	
	50				26870	33630	41060	49230	58160	67750	71850	77980	
HGX6-1080XAC	45			25500	32910	41260	50480	60690					
	50				30750	38540	47210	56790					
HGX6-1080SXAC	45			25500	32910	41260	50480	60690	71910	84050	89300	97190	
	50				30750	38540	47210	56790	67230	78720	83480	90950	
HGX6-1240XAC	45			28970	37340	46660	56940	68250					
	50				34810	43570	53190	63770					

Medium temperature

35°C Amb. - 45°C Cond.

40°C Amb. - 50°C Cond.

Low temperature

38°C Amb. - 45°C Cond.

43°C Amb. - 50°C Cond.

TECHNICAL DATA

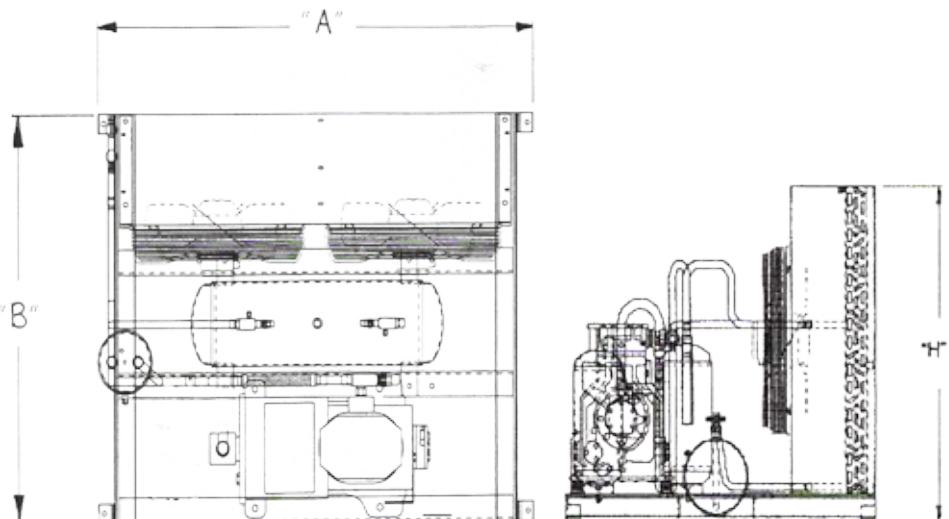
MEDIUM TEMPERATURE

Model No.	Compressor				Condenser					Liquid Line Size	Suction Line Size	Receiver Pumpdown Capacity	Base Type	Unit Weight (kg)
	Nom HP	Max Current Amps	Max Power Consumption kW	Heater Watts 240/1/50	Fan Voltage	Fan Total Amps	Fan Total kW	Air Flow L/S	No of Fans					
HGX22-125XAC	2	5.6	3.2	50	240/1/50	1.4	0.3	1460	2 x 350mm	3/8"	7/8"	4.3kg (vert)	Sheet	110
HGX22-160XAC	3	6	3.5	50	240/1/50	1.4	0.3	1510	2 x 350mm	3/8"	7/8"	4.3kg (vert)	Sheet	118
HGX22-190XAC	3	7.7	4.6	50	240/1/50	1.4	0.3	1470	2 x 350mm	3/8"	7/8"	4.3kg (vert)	Sheet	128
HGX34-215XAC	4.1	8.3	5	50	240/1/50	1.4	0.3	1470	2 x 350mm	1/2"	7/8"	7.2kg (vert)	Sheet	145
HGX34-255XAC	4.1	10	6.1	50	240/1/50	3.0	0.6	1970	2 x 350mm	1/2"	1 1/8"	7.2kg (vert)	Sheet	155
HGX34-315XAC	5.4	12.2	7.3	50	240/1/50	4.0	1	3000	2 x 400mm	5/8"	1 1/8"	12.1kg (vert)	Angle iron	168
HGX34-380XAC	5.4	15.1	9.1	50	240/1/50	4.0	1	2500	2 x 500mm	5/8"	1 1/8"	12.1kg (vert)	Angle iron	195
HGX4-465XAL	12.2	18	11	80	240/3/50	4.0	1.24	3944	2 x 500mm	5/8"	1 3/8"	20kg (horiz)	Angle iron	310
HGX4-465SXAM	15	27	13	80	240/3/50	4.0	1.24	3750	2 x 500mm	5/8"	1 3/8"	20kg (horiz)	Angle iron	340
HGX4-555XAC	15	27	12.9	80	415/3/50	4.0	1.28	3224	2 x 630mm	7/8"	1 3/8"	20kg (horiz)	Angle iron	345
HGX4-650XAC	15	27	15.7	80	415/3/50	4.4	1.28	4224	2 x 630mm	7/8"	1 5/8"	36kg (horiz)	Angle iron	360
HGX4-650SXAC	20.4	34	18.4	80	415/3/50	4.4	1.28	4666	2 x 630mm	7/8"	1 5/8"	36kg (horiz)	Angle iron	365
HGX5-725XAC	15	33	16.5	140	415/3/50	8.0	2.48	7888	4 x 500mm	1 1/8"	1 5/8"	36kg (horiz)	Angle iron	440
HGX5-830XAC	15	33	18.9	140	415/3/50	8.0	2.48	7888	4 x 500mm	1 1/8"	1 5/8"	36kg (horiz)	Angle iron	480
HGX5-830SXAC	25.2	49	22.3	140	415/3/50	8.0	2.48	7888	4 x 500mm	1 1/8"	1 5/8"	36kg (horiz)	Angle iron	490
HGX5-945XAC	20.4	37	22.6	140	415/3/50	8.0	2.48	7500	4 x 500mm	1 1/8"	2 1/8"	36kg (horiz)	Angle iron	485
HGX5-945SXAC	25.2	49	22.8	140	415/3/50	8.0	2.48	7500	4 x 500mm	1 1/8"	2 1/8"	36kg (horiz)	Angle iron	490
HGX6-1080XAC	29.9	47	26.3	140	415/3/50	8.8	2.56	8448	4 x 630mm	1 1/8"	2 1/8"	36kg (horiz)	Angle iron	495
HGX6-1080SXAC	35.4	57	31	140	415/3/50	8.8	2.56	8448	4 x 630mm	1 1/8"	2 1/8"	36kg (horiz)	Angle iron	495
HGX6-1240XAC	35.4	57	30.5	140	415/3/50	8.8	2.56	8448	4 x 630mm	1 1/8"	2 1/8"	36kg (horiz)	Angle iron	570
HGX6-1410XAL	35.4	57	35.6	140	415/3/50	8.8	2.56	8448	4 x 630mm	1 1/8"	2 1/8"	36kg (horiz)	Angle iron	570

DIMENSIONS

MEDIUM TEMPERATURE

Model No.	DIMENSIONS		
	"A"	"B"	"H"
HGX22-125XAC	1090	850	500
HGX22-160XAC	1090	850	590
HGX22-190XAC	1090	850	700
HGX34-215XAC	1090	850	700
HGX34-255XAC	1090	850	920
HGX34-315XAC	1350	1015	842
HGX34-380XAC	1350	1015	842
HGX4-465XAL	1355	1075	920
HGX4-465SXAM	1355	1075	920
HGX4-555XAC	1730	1075	1115
HGX4-650XAC	1730	1075	1115
HGX4-650SXAC	2025	1075	1020
HGX5-725XAC	1355	1085	1770
HGX5-830XAC	1355	1085	1770
HGX5-830SXAC	1355	1085	1770
HGX5-945XAC	1355	1085	1770
HGX5-945SXAC	1355	1085	1770
HGX6-1080XAC	1730	1085	2155
HGX6-1080SXAC	1730	1085	2155
HGX6-1240XAC	1730	1085	2155
HGX6-1410XAL	1730	1085	2155



* HGX22-125 to HGX34-255 Units use Sheetmetal Base

* HGX34-315 & onwards, use Angle Iron Base

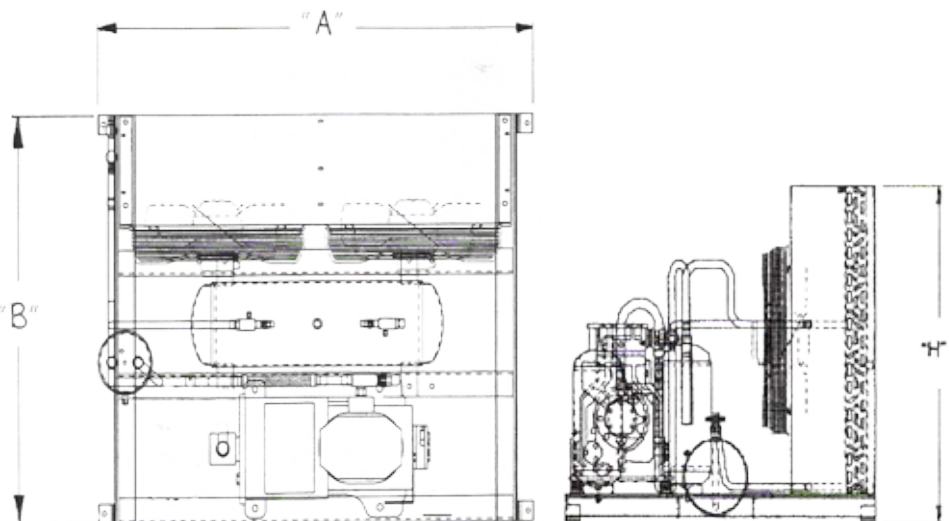


TECHNICAL DATA
LOW TEMPERATURE

Model No.	Compressor				Condenser					Liquid Line Size	Suction Line Size	Receiver Pumpdown Capacity	Base Type	Unit Weight (kg)
	Nom HP	Max Current Amps	Max Power Consumption kW	Heater Watts 240/1/50	Fan Voltage	Fan Total Amps	Fan Total kW	Air Flow L/S	No of Fans					
HGX22-125XAC	2	5.6	3.2	50	240/1/50	1.4	0.3	1460	2 x 350mm	3/8"	7/8"	4.3kg (vert)	Sheet	110
HGX22-160XAC	3	6	3.5	50	240/1/50	1.4	0.3	1510	2 x 350mm	3/8"	7/8"	4.3kg (vert)	Sheet	118
HGX22-190XAC	3	7.7	4.6	50	240/1/50	1.4	0.3	1470	2 x 350mm	3/8"	7/8"	4.3kg (vert)	Sheet	128
HGX34-215XAC	4.1	8.3	5	50	240/1/50	1.4	0.3	1470	2 x 350mm	1/2"	7/8"	7.2kg (vert)	Sheet	145
HGX34-255XAC	4.1	10	6.1	50	240/1/50	1.5	0.6	1970	2 x 350mm	1/2"	1 1/8"	7.2kg (vert)	Sheet	150
HGX34-315XAC	5.4	12.2	7.3	50	240/1/50	3.0	1	3000	2 x 400mm	5/8"	1 1/8"	12.1kg (vert)	Angle iron	155
HGX34-380XAC	5.4	15.1	9.1	50	240/1/50	3.0	1	2500	2 x 500mm	5/8"	1 1/8"	12.1kg (vert)	Angle iron	185
HGX4-465XAC	12.2	18	11	80	240/3/50	4.0	1.24	3944	2 x 500mm	5/8"	1 3/8"	20kg (horiz)	Angle iron	285
HGX4-555XAC	15	27	12.9	80	240/3/50	4.0	1.28	3224	2 x 610mm	7/8"	1 3/8"	20kg (horiz)	Angle iron	300
HGX4-650XAC	15	27	15.7	80	415/3/50	4.4	1.28	4224	2 x 610mm	7/8"	1 5/8"	36kg (horiz)	Angle iron	340
HGX5-725XAC	15	33	16.5	140	415/3/50	4.4	2.48	7888	2 x 610mm	1 1/8"	1 5/8"	36kg (horiz)	Angle iron	400
HGX5-830XAC	15	33	18.9	140	415/3/50	4.4	2.48	7888	2 x 610mm	1 1/8"	1 5/8"	36kg (horiz)	Angle iron	410
HGX5-945XAC	20.4	37	22.6	140	415/3/50	8.0	2.48	7500	4 x 500mm	1 1/8"	2 1/8"	36kg (horiz)	Angle iron	475
HGX6-1080XAC	29.9	47	26.3	140	415/3/50	8.0	2.56	8448	4 x 500mm	1 1/8"	2 1/8"	36kg (horiz)	Angle iron	462
HGX6-1240XAC	35.4	57	30.5	140	415/3/50	8.8	2.56	8448	4 x 610mm	1 1/8"	2 1/8"	36kg (horiz)	Angle iron	540
HGX6-1410XAC	35.4	57	35.6	140	415/3/50	8.8	2.56	8448	4 x 610mm	1 1/8"	2 1/8"	36kg (horiz)	Angle iron	545

DIMENSIONS
LOW TEMPERATURE

Model No.	DIMENSIONS		
	"A"	"B"	"H"
HGX22-125XAC	1090	850	500
HGX22-160XAC	1090	850	590
HGX22-190XAC	1090	850	700
HGX34-215XAC	1090	850	700
HGX34-255XAC	1090	850	920
HGX34-315XAC	1350	1015	842
HGX34-380XAC	1350	1015	842
HGX4-465XAC	1350	1075	920
HGX4-555XAC	1350	1075	1115
HGX4-650XAC	1730	1075	1115
HGX5-725XAC	1750	1085	1160
HGX5-830XAC	1750	1085	1160
HGX5-945XAC	1350	1085	1770
HGX6-1080XAC	1730	1085	2155
HGX6-1240XAC	1730	1085	2155
HGX6-1410XAC	1730	1085	2155



* HGX22-125 to HGX34-255 Units use Sheetmetal Base
* HGX34-315 & onwards, use Angle Iron Base

Distributed by:

BOCK Australia Pty Ltd
ABN 30 095 377 870
Unit 5, 26 - 34 Dunning Avenue
Rosebery NSW 2018

P: +61 (02) 9663 4999
F: +61 (02) 9663 4899

General enquiries: enquiry@bockaust.com.au
Sales enquiries: sales@bockaust.com.au

www.bockaust.com.au

